



LILLY Downlight

The **LILLY** adjustable downlight provides optimal illumination and accent lighting for commercial and retail spaces.



LIGHT ALLIANCE

Projects (PTY) Ltd.

*Partners in **Lighting Solutions***

LILLY

Downlight



APPLICATIONS

- Public Buildings
- Industrial Developments
- Ablutions
- Commercial Developments
- Retail Developments
- Shopping Malls
- Households

SPECIFICATIONS

Housing: Aluminium Alloy for passive cooling

Heat Sink: Aluminium

Light Source: LED

Finish: Powder Coated

Colours: White

Reflector: Opal Diffuser

Beam Angle: 120°

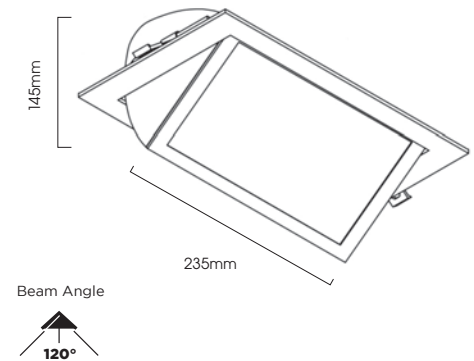
Mounting: Recessed

Lumen Maintenance: L₈₀ B₁₀ 50,000 Hours

CCT: 3000K, 4000K

CRI: >80

Available on Request: DALI Dimmable, Emergency Battery Backup



Luminaire Wattage	Luminaire Output (Lumens)	Colour Temperature	Efficacy lm/W	Ra (CRI)	Dimensions	Reference Code
45	4100	4000K	91	>80	235mm x 145mm	LADLL-045-4K